

# HD CCTV Total Solution

## IR Dome Camera User Manual

Please use this camera with a DVR which supports HD video recording.  
Please read the instructions thoroughly before using the product.



### CAUTION

### RISK OF ELECTRIC SHOCK



#### CAUTION:

To reduce the risk of electric shock, do not expose this apparatus to rain or moisture.

Only operate this apparatus from the type of power source indicated on the label.

The company shall not be liable for any damages arising out of any improper use, even if we have been advised of the possibility of such damages.



The lightning flash with arrowhead symbol, within an equilateral triangle, is intended to alert the user to the presence of uninsulated "dangerous voltage" within the product's enclosure that may be of sufficient magnitude to constitute a risk of electric shock to persons.



This exclamation point within an equilateral triangle is intended to alert the user to the presence of important operating and maintenance (servicing) instructions in the literature accompanying the appliance.



#### ROHS Announcement

All lead-free products offered by the company comply with the requirements of the European law on the Restriction of Hazardous Substances (RoHS) directive, which means our manufacture processes and products are strictly "lead-free" and without the hazardous substances cited in the directive.



The crossed-out wheeled bin mark symbolizes that within the European Union the product must be collected separately at the product end-of-life. This applies to your product and any peripherals marked with this symbol. Do not dispose of these products as unsorted municipal waste.



#### CE Mark

This apparatus is manufactured to comply with the radio interference.

The company does not warrant that this manual will be uninterrupted or error-free. We reserve the right to revise or remove any content in this manual at any time.

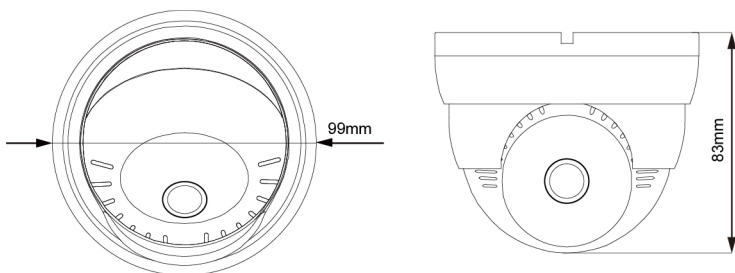
## FEATURES

1. 1/2.5" CMOS Sensor with 5MP video output
2. Quadbrid video output with TVI, AHD, CVI & CVBS
3. Microphone built-in for audio recording
4. DWDR to increase image recognizability in overexposure and dark areas
5. Day and night 24-hour surveillance with IR effective distance up to 25 meters
6. Camera parameters adjustable when used with HD CCTV DVR

## PACKAGE CONTENT

- IR camera
- User manual
- Screws & wall plugs

## DIMENSIONS\*



\*Dimensional Tolerance:  $\pm 5$ mm

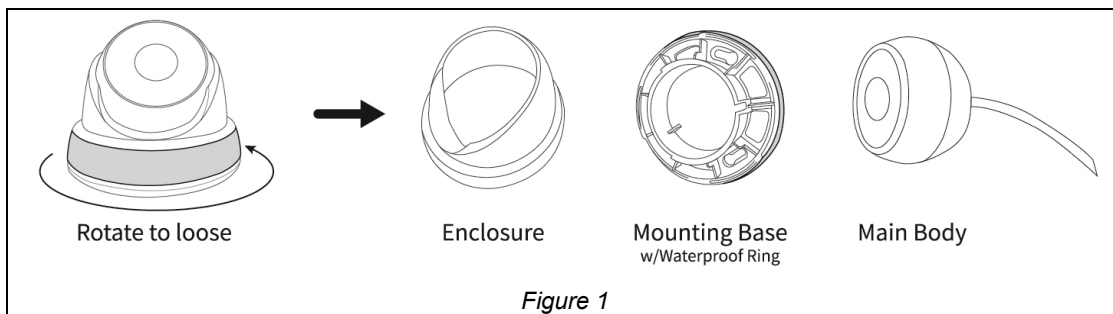
## SPECIFICATIONS\*

Video Mode	TVI / AHD / CVI / CVBS
Pick-up Element	1/ 2.5" CMOS image sensor
Number of Pixels	2560 (H) x 1920 (V)
Video Frame Rate	5MP @ 20fps
Min. Illumination	0.01 Lux / F1.8, 0 Lux (IR LED ON)
S/N Ratio	More than 48dB (AGC OFF)
Shutter Speed	1/30 (1/25) sec ~ 1/ 60000 (1/ 50000) sec
Lens	f3.6mm / F1.8
Lens Angle	96° (Horizontal) / 50° (Vertical) / 116° (Diagonal)
IR LED	12 units
IR Effective Distance	Up to 25 meters
IR Shift	YES
Day & Night Mode	YES
IRIS Mode	AES
White Balance	AUTO / MANUAL
AGC	HIGH / MIDDLE / LOW
Sharpness	YES
BLC	YES
HLC	YES
Noise Reduction	YES
Flickerless	YES
DWDR	YES
Audio	Microphone built-in
Operating Temperature	0°C ~ 50°C
Operating Humidity	90% or less relative humidity
Power Source ( $\pm 10\%$ )	DC12V / 1A
Current Consumption ( $\pm 10\%$ )	50mA (IR LED OFF); 199mA (IR LED ON)
Net Weight (kg)	0.13
Certification	CE

\* The specifications are subject to change without notice.

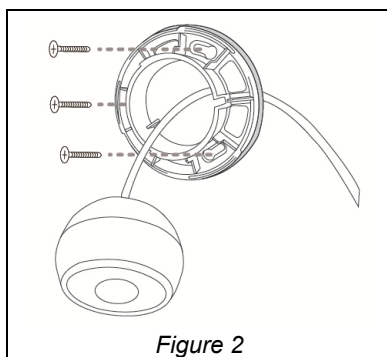
## INSTALLATION

Step1: Rotate the enclosure as indicated below to disassemble the camera (*Figure 1*).



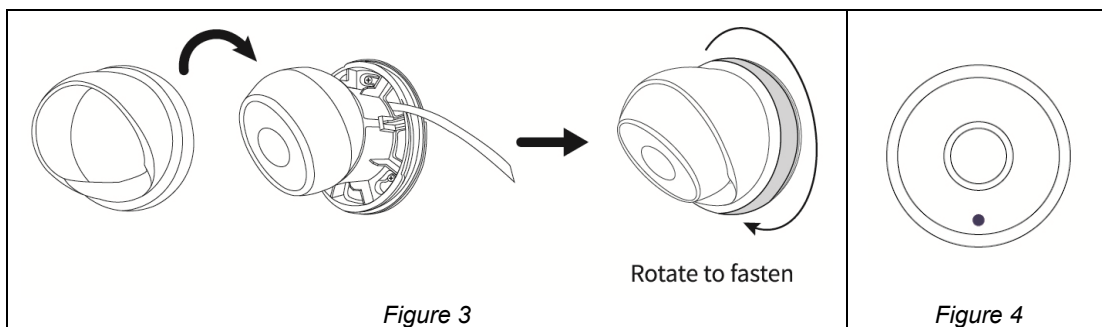
Step2: Locate where you want to install this camera (wall or ceiling), and drill holes on the wall or ceiling for securing the bracket and routing the cables (if necessary).

Step3: Attach the mounting base to the wall (or ceiling), and make sure the cables are routed and arranged properly. Then, secure the base to the wall (or ceiling), as shown in *Figure 2*.



Step 4: Replace the enclosure back to the mounting base and rotate it to fasten, as shown in *Figure 3*.

**Note:** Make sure the main body is positioned properly to ensure the camera image is not upside down (Refer to *Figure 4*).



Step5: Power on the camera and adjust the viewing angle.

## CONNECTION

### 1. DC12V Input Terminal

Connect the power terminal of the camera to a DC 12V regulated power supply.

**Note:** Please use the correct power adaptor, DC12V (regulated), to operate this unit. The power tolerance of this unit is DC12V  $\pm$  10%. Over maximum DC 12V power input will damage this unit.

### 2. Video Output Connector (VIDEO OUT)

Connect the camera video output to the video input of a DVR with 75 $\Omega$  coaxial cable.


**Note:** To ensure the camera has sufficient protection against moisture, an extra waterproof measure, such as by using an insulating tape, must be used to cover the power and video connectors after connection.

## CAMERA PARAMETERS




This camera series has its own configuration menu.

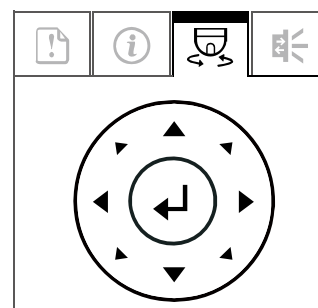
**Note:** The access path is taking our HD CCTV recorder as an example. If you're using other brand's recorder, please refer to its own user manual to know how to access the camera parameters.

Click twice on the channel that this camera is connected to show in full screen, and click on  on the right side to display the PTZ control panel.

Then, click on  (Enter) on the PTZ control panel to show the configuration menu of this camera, and use the arrow keypad to choose between each option.

When the camera menu is entered, use keypad to move between and change those configurations.

-  Move between selections.
-  Change settings.
-  Call the camera parameters menu or enter the currently-selected item.



MENU			REMARK
FORMAT		5M12.5 / 20 / 4M25 / 4M30 / 2M25 / 2M30	When VIDEO MODE is TVI.
		5M12.5 / 20 / 4M25 / 4M30	When VIDEO MODE is AHD.
		4M30 / 4M25	When VIDEO MODE is CVI.
		PAL / NTSC	When VIDEO MODE is CVBS.
VIDEO MODE		TVI / AHD / CVI / CVBS	
LANGUAGE		ENGLISH / 简体中文 / 繁體中文	
EXPOSURE	EXPOSURE MODE	GLOBAL / BLC / HLC / WDR	
	AGC	HIGH / MIDDLE / LOW	
DAY&NIGHT	MODE	EXT	Use the external light sensor we added in the camera to detect the surrounding light condition and switch to color or B/W mode.
		AUTO	
		COLOR	
		B/W	
	IR LIGHT	ON / OFF	
	SMART IR	0 ~ 3	
	D-N THRESHOLD	1 ~ 9	When MODE is AUTO.
	N-D THRESHOLD	1 ~ 9	When MODE is AUTO.
VIDEO SETTINGS	IMAGE MODE	STD / HIGH_SAT	
	AWB	MODE	AUTO
			MANUAL
	BRIGHTNESS		1 ~ 9
	CONTRAST		1 ~ 9
	SHARPNESS		1 ~ 9
	SATURATION		1 ~ 9
	NR		1 ~ 9
MIRROR		DEFAULT / MIRROR / FLIP / ROTATE	
RESET			Reset the camera
EXIT			Exit the menu without saving
SAVE-EXIT			Save the changes and exit the menu.