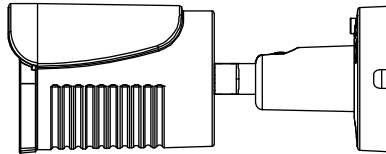


HD CCTV Total Solution

IR Bullet Camera User Manual



Please use this camera with a DVR which supports HD video recording.
Please read the instructions thoroughly before using the product.



CAUTION

RISK OF ELECTRIC SHOCK



CAUTION:

To reduce the risk of electric shock, do not expose this apparatus to rain or moisture.

Only operate this apparatus from the type of power source indicated on the label.

The company shall not be liable for any damages arising out of any improper use, even if we have been advised of the possibility of such damages.



The lightning flash with arrowhead symbol, within an equilateral triangle, is intended to alert the user to the presence of uninsulated "dangerous voltage" within the product's enclosure that may be of sufficient magnitude to constitute a risk of electric shock to persons.



This exclamation point within an equilateral triangle is intended to alert the user to the presence of important operating and maintenance (servicing) instructions in the literature accompanying the appliance.



ROHS Announcement

All lead-free products offered by the company comply with the requirements of the European law on the Restriction of Hazardous Substances (RoHS) directive, which means our manufacture processes and products are strictly "lead-free" and without the hazardous substances cited in the directive.



The crossed-out wheeled bin mark symbolizes that within the European Union the product must be collected separately at the product end-of-life. This applies to your product and any peripherals marked with this symbol. Do not dispose of these products as unsorted municipal waste.



CE Mark

This apparatus is manufactured to comply with the radio interference.

The company does not warrant that this manual will be uninterrupted or error-free. We reserve the right to revise or remove any content in this manual at any time.

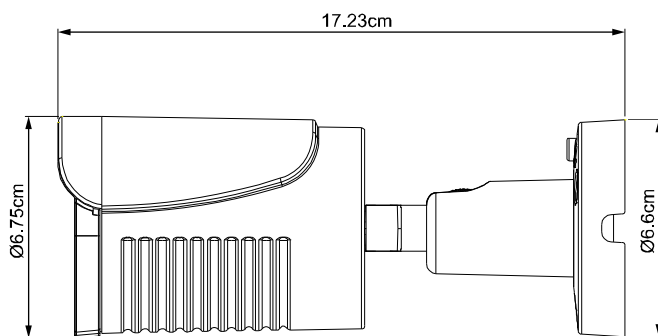
FEATURES

1. 1/2.9" CMOS Sensor with 1080P video output
2. Quadbrid video output with TVI, CVI, AHD & CVBS
3. Microphone built-in for audio recording
4. DWDR to increase image recognizability in overexposure and dark areas
5. Day and night 24-hour surveillance with IR effective distance up to 25 meters
6. IP66 for weather-proof application
7. Camera parameters adjustable when used with HD CCTV DVR

PACKAGE CONTENT

- IR camera
- User manual
- Wrench
- Screws & wall plugs

DIMENSIONS*



*Dimensional Tolerance: ± 5mm



SPECIFICATIONS*

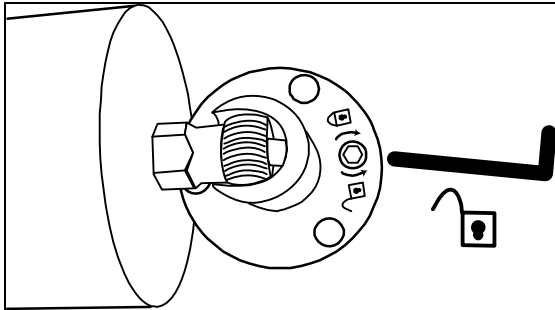
Video Mode	TVI (default) / CVI / AHD / CVBS
Pick-up Element	1/ 2.9" CMOS image sensor
Number of Pixels	1920 x 1080
Video Frame Rate	1080P@30fps (25fps)
Min. Illumination	0.01 Lux / F1.8, 0 Lux (IR LED ON)
S/N Ratio	More than 48dB (AGC OFF)
Shutter Speed	1/20 sec ~ 1/50000 sec
Lens	f3.6mm / F1.8
Lens Angle	89° (Horizontal) / 46° (Vertical) / 108° (Diagonal)
IR LED	2 units
IR Effective Distance	Up to 25 meters
IR Shift	YES
Day & Night Mode	YES
IRIS Mode	AES
White Balance	AUTO / MANUAL
AGC	HIGH / MIDDLE / LOW
Sharpness	YES
BLC	YES
HLC	YES
Noise Reduction	YES
Flickerless	YES
DWDR	YES
Audio	Microphone built-in (TVI only)
IP Rating	IP66
Operating Temperature	-20°C ~ 40°C
Operating Humidity	90% or less relative humidity
Power Source (±10%)	DC12V / 1A
Current Consumption (±10%)	50mA (IR LED OFF); 199mA (IR LED ON)
Net Weight (kg)	0.36

* The specifications are subject to change without notice.



INSTALLATION

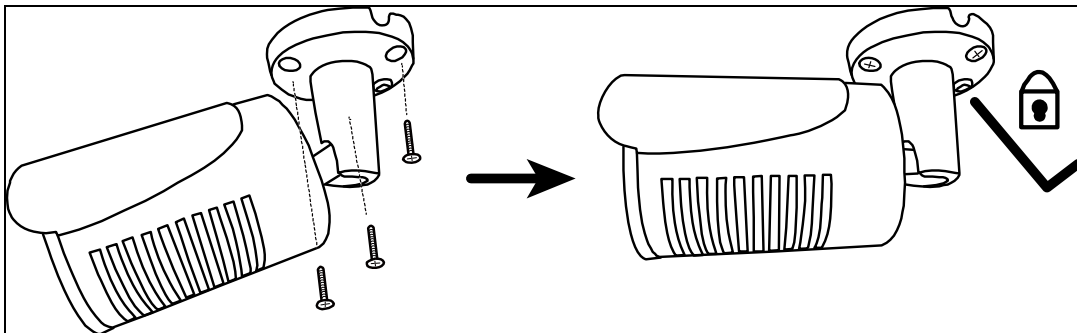
Step1: Find the wrench supplied in the sales package, and loosen the screw as indicated below to loosen the joint lock of the bracket.

Note:  for lock, and for  unlock.



Step2: Locate where to install this camera, and fasten the bracket to the ceiling or wall. Then, adjust the viewing angle of the camera, and fasten the screw to secure the joint lock of the bracket.

Note:  for lock, and for  unlock.



CONNECTION

1. DC12V Input Terminal

Connect the power terminal of the camera to a DC 12V regulated power supply.

Note: Please use the correct power adaptor, DC12V (regulated), to operate this unit. The power tolerance of this unit is DC12V \pm 10%. Over maximum DC 12V power input will damage this unit.

2. Video Output Connector (VIDEO OUT)

Connect the camera video output to the video input of a DVR with 75 Ω coaxial cable.

Note: To ensure the camera has sufficient protection against moisture, an extra waterproof measure, such as by using an insulating tape, must be used to cover the power and video connectors after connection.


CAMERA PARAMETERS

This camera series has its own configuration menu.




Note: This camera can't be accessed to change configurations when the video mode is switched to CVBS.

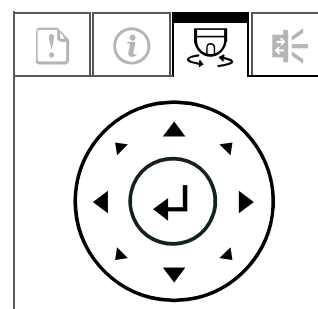
Note: The access path is taking our HD CCTV recorder as an example. If you're using other brand's recorder, please refer to its own user manual to know how to access the camera parameters.

Click twice on the channel that this camera is connected to show in full screen, and click on  on the right side to display the PTZ control panel.

Then, click on  (Enter) on the PTZ control panel to show the configuration menu of this camera, and use the arrow keypad to choose between each option.

When the camera menu is entered, use keypad to move between and change those configurations.

-  Move between selections.
-  Change settings.
-  Call the camera parameters menu or enter the currently-selected item.



MENU			REMARK	
VIDEO MODE		TVI / AHD / CVI / CVBS		
FORMAT		2M30 / 2M25		
LANGUAGE		ENGLISH / 繁體中文		
EXPOSURE	EXPOSURE MODE	GLOBAL / BLC / HLC / WDR		
	AGC	HIGH / MIDDLE / LOW		
DAY&NIGHT	MODE	EXT	Use the external light sensor we added in the camera to detect the surrounding light condition and switch to color or B/W mode.	
		AUTO		
		COLOR		
		B/W		
VIDEO SETTING	IMAGE MODE	STD / HIGH SAT		
	AWB	MODE	AUTO	
			MANUAL	Manually adjust the white balance parameters by modifying R / B gain parameters.
	BRIGHTNESS		1 ~ 9	
	CONTRAST		1 ~ 9	
	SHARPNESS		1 ~ 9	
	SATURATION		1 ~ 9	
	NR		1 ~ 9	
	MIRROR		DEFAULT	
			MIRROR	
		FLIP		
		ROTATE		
RESET				
EXIT			Exit the menu without saving	
SAVE-EXIT			Save the changes and exit the menu.	