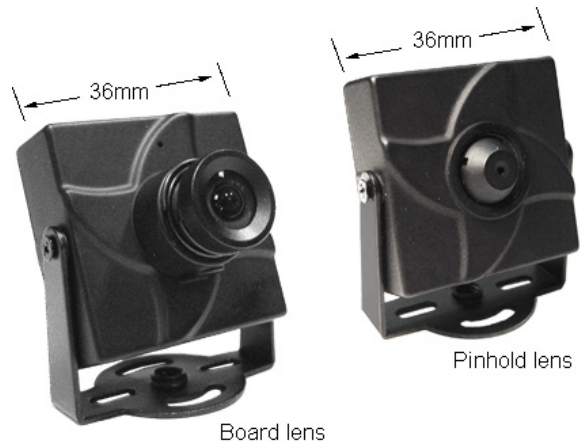


AVC554 MINI CAMERA



● OVERVIEW

Equipped with a 1/3" color CCD image sensor, this mini camera has the satisfactory minimum illumination of 0.3 Lux / F2.0 to provide clear and sharp images to consolidate the safety of your surveillance environment.

● FEATURES

- (1) High quality picture with excellent color performance
- (2) Satisfactory minimum illumination of 0.3 Lux / F2.0
- (3) Signal-to-Noise ratio is more than 48dB
- (4) High reliability under long time operation

● SPECIFICATIONS*

Pick up Element	1/3" Color CCD image sensor
Number of Pixel	512(H) x 492(V) <NTSC> / 512(H) x 582(V) <PAL>
Resolution	350 TV lines
Min. Illumination	0.3 Lux / F2.0
S/N Ratio	More than 48dB (AGC off)
Electronic Shutter	1/60 (1/50) to 1/100,000 sec.
Lens	Board Lens : f3.6mm/F2.0 Pinhole Lens : f3.7mm/F2.0
Lens Angle	Board Lens: 92° Pinhole Lens: 85°
Iris Mode	AES
AGC	Auto
White Balance	ATW
Video Output	1.0 Vp-p composite, 75Ω
Power Source (±5%)	DC12V
Power Consumption (±10%)	90mA
Dimensions (mm)**	Board Lens: 36(W) x 36(H) x 14(D) Pinhole Lens: 36(W) x 36(H) x 13(D)
Gross Weight (g)	105

* The specifications are subject to change without notice.

** Dimensional Tolerance: ± 5mm