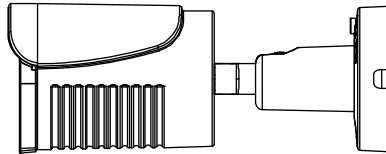


HD CCTV Total Solution

5MP IR Bullet Camera User Manual



Please use this camera with a DVR which supports HD video recording.
Please read the instructions thoroughly before using the product.



CAUTION

RISK OF ELECTRIC SHOCK



CAUTION:

To reduce the risk of electric shock, do not expose this apparatus to rain or moisture.

Only operate this apparatus from the type of power source indicated on the label.

The company shall not be liable for any damages arising out of any improper use, even if we have been advised of the possibility of such damages.



The lightning flash with arrowhead symbol, within an equilateral triangle, is intended to alert the user to the presence of uninsulated "dangerous voltage" within the product's enclosure that may be of sufficient magnitude to constitute a risk of electric shock to persons.



This exclamation point within an equilateral triangle is intended to alert the user to the presence of important operating and maintenance (servicing) instructions in the literature accompanying the appliance.



ROHS Announcement

All lead-free products offered by the company comply with the requirements of the European law on the Restriction of Hazardous Substances (RoHS) directive, which means our manufacture processes and products are strictly "lead-free" and without the hazardous substances cited in the directive.



The crossed-out wheeled bin mark symbolizes that within the European Union the product must be collected separately at the product end-of-life. This applies to your product and any peripherals marked with this symbol. Do not dispose of these products as unsorted municipal waste.



CE Mark

This apparatus is manufactured to comply with the radio interference.

The company does not warrant that this manual will be uninterrupted or error-free. We reserve the right to revise or remove any content in this manual at any time.

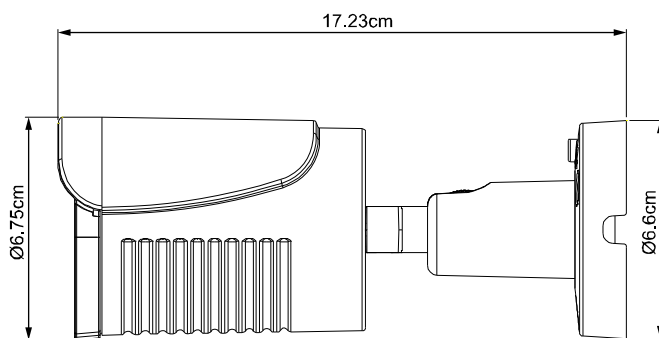
FEATURES

1. 1/2.5" CMOS Sensor with up to 5MP video output
2. Low light sensitivity of 0.1 Lux / F1.8, 0Lux (IR LED ON)
3. Quadbrid video output with TVI, CVI, AHD & CVBS
4. DWDR to increase image recognizability in overexposure and dark areas
5. Day and night 24-hour surveillance with IR effective distance up to 50 meters
6. IP66 for weather-proof application
7. Camera parameters adjustable when used with HD CCTV DVR

PACKAGE CONTENT

- IR camera
- User manual
- Wrench
- Accessory

DIMENSIONS*



*Dimensional Tolerance: ± 5mm



SPECIFICATIONS*

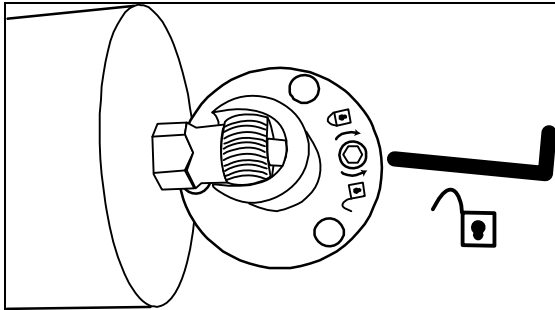
	Model 1	Model 2
Video Mode	TVI, CVI, AHD & CVBS switchable	
Pick-up Element	1/2.5 " CMOS image sensor	
Number of Pixels	2560 (H) x 1920 (V)	
Video Frame Rate	5MP@ 20fps	
Min. Illumination	0.1 Lux / F1.8, 0 Lux (IR LED ON)	
S/N Ratio	More than 48dB (AGC OFF)	
Shutter Speed	AUTO : 1/25(30)sec~1/50,000sec	
Lens	f3.6mm / F1.8	f2.8mm / F1.8
Lens Angle	96° (Horizontal) / 50° (Vertical) / 116° (Diagonal)	100° (Horizontal) / 52° (Vertical) / 121° (Diagonal)
IR LED	2 units	
IR Effective Distance	Up to 50 meters	
IR Shift	YES	
Day & Night Mode	YES	
Noise Reduction	YES	
IRIS Mode	AES	
White Balance	AUTO	
AGC	AUTO	
Sharpness	Adjustable	
Flickerless	50HZ / 60HZ / OFF	
BLC	Adjustable	
DWDR	YES	
IP Rating	IP66	
Operating Temperature	-20°C ~ 40°C	
Operating Humidity	90% or less relative humidity	
Power Source (±10%)	DC12V / 0.5A	
Current Consumption (±10%)	100mA (IR LED OFF); 240mA (IR LED ON)	
Net Weight (kg)	0.36	

* The specifications are subject to change without notice.



INSTALLATION

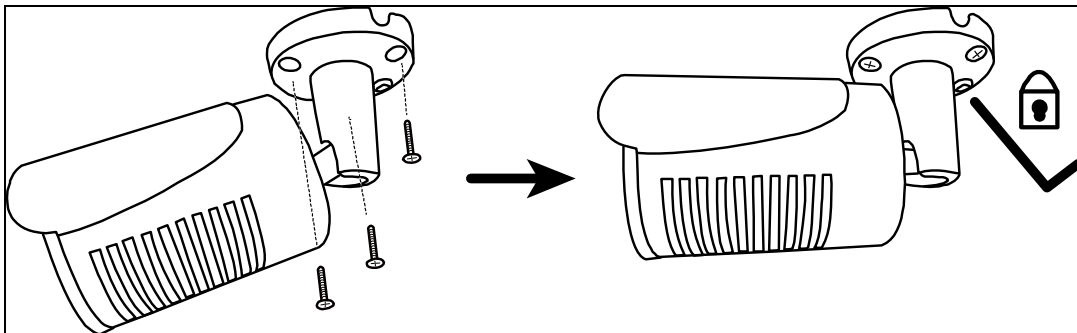
Step1: Find the wrench supplied in the sales package, and loosen the screw as indicated below to loosen the joint lock of the bracket.

Note:  for lock, and for  unlock.



Step2: Locate where to install this camera, and fasten the bracket to the ceiling or wall. Then, adjust the viewing angle of the camera, and fasten the screw to secure the joint lock of the bracket.

Note:  for lock, and for  unlock.



CONNECTION

1. DC12V Input Terminal

Connect the power terminal of the camera to a DC 12V regulated power supply.

Note: Please use the correct power adaptor, DC12V (regulated), to operate this unit. The power tolerance of this unit is DC12V \pm 10%. Over maximum DC 12V power input will damage this unit.

2. Video Output Connector (VIDEO OUT)


Connect the camera video output to the video input of a DVR with 75 Ω coaxial cable.

Note: To ensure the camera has sufficient protection against moisture, an extra waterproof measure, such as by using an insulating tape, must be used to cover the power and video connectors after connection.

CAMERA PARAMETERS

This camera series has its own configuration menu. Please check the user manual of your recorder to know how to enter the camera menu via your recorder.



Click  to show the camera menu and you can move among sub-menus:



Move among sub-menus.



Change settings.



Call the camera parameters menu or enter the currently-selected item.

MENU			REMARK	
MAIN-MENU	AE	BRIGHTNESS	1 ~ 10	
		EXPOSURE MODE	GLOBAL	
	AWB	MODE	ATW	
			MWB	Manually adjust the white balance parameters by modifying R / B gain parameters.
	DAY - NIGHT	MODE	EXT	Use the external light sensor we added in the camera to detect the surrounding light condition and switch to color or B/W mode.
			AUTO	
			COLOR	
			BW	
VIDEO ENHANCE		CONTRAST	1 ~ 10	
		SHARPNESS	1 ~ 10	
		COLOR GAIN	1 ~ 10	
		DNR	1 ~ 10	
		MIRROR	DEFAULT	
			H	Horizontal
			V	Vertical
	HV	Horizontal & vertical		
VIDEO OUTPUT		D-WDR	OFF / ON	
		HD	TVI / CVI / AHD / CVBS	
		VIDEO STANDARD	Choose the video resolution and IPS of this camera in different video output mode.	
		REBOOT&APPLY		
LANGUAGE		ENGLISH / SIMPLIFIED CHINESE / TRADITIONAL CHINESE / RUSSIAN / ITALIAN / PORTUGUESE		
RESET				
SAVE-EXIT			Save the changes and exit the menu.	
EXIT			Exit the menu without saving	